

Heavy duty pneumatic toggle clamps

with magnetic piston

SPECIFICATION

Type

- Type **EP**: solid clamping arm

Coding

- Coding **M**: Magnetic piston

Base

cast steel
black lacquered

other parts

Steel St 60
zinc plated, blue passivated

Bearing pins

case hardened

Double-action air cylinder

with adjustable cushioning
max. pressure 6 bar

All moving parts

lubricated with special grease



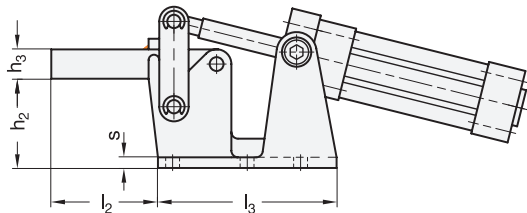
INFORMATION

GN 861 heavy duty pneumatic toggle clamps have been constructed in such a way as to make them easy to unmount. The bearing pins are axially fixed with circlips. This allows the clamping arm to be modified to suit any particular application.

To ensure an extended life of the mechanical parts as well as the air cylinder the operating pressure should not exceed 6 bar. In addition a lubrication control unit should be fitted in the air line.

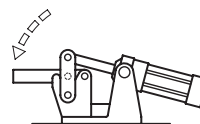
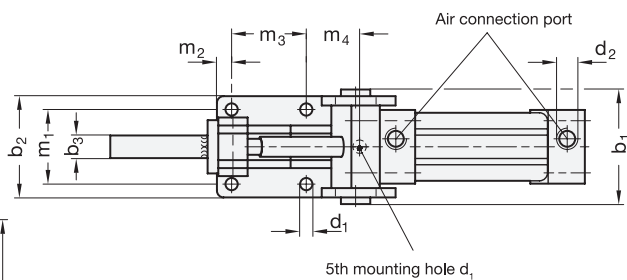
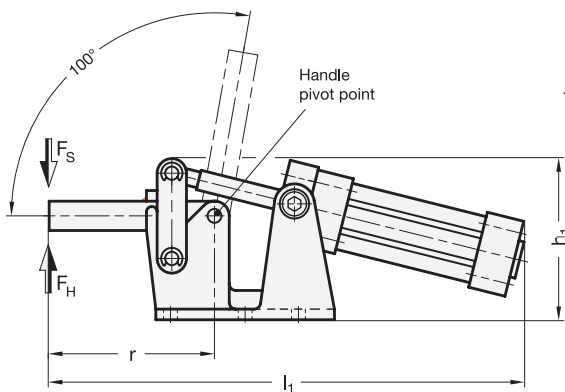
GN 861 pneumatic toggle clamps are available as version M (magnetic piston). In conjunction with a GN 896.3 (see page 1622) proximity switch the piston position is sensed and the generated signal can be used in sequence control systems.

- General information for toggle clamps (see page 1560)



ACCESSORY

- GN 896.3 proximity switch (see page 1622)



GN 861

Description	Size	FH in N	Fs in N	b1	b2	b3	d1	d2	Inside Ø connection tube	h1 ≈	h2	h3	l1 ≈	l2 ≈	l3 ≈	m1	m2	m3	m4	r ≈	s	⚖
GN 861-1000-EP-M	1000	10000	2500	102	90	20	10.5	G 1/4	8	145	80	25	410	90	155	65	12.5	65	48	140	13	6000
GN 861-2000-EP-M	2000	20000	3600	112	100	20	10.5	G 3/8	10	171.5	90	35	487	113	176	70	15	70	56	172	13	7400

